



Polished stainless steel for food and pharmaceutical applications



Powder-coated steel for corrosive environments

Maximum availability of the point of measurement: Cleaning without interrupting the process, even when measuring directly in the pressure tank

Since the sensor is not removed for cleaning, the process can continue uninterrupted. This allows problem-free measurements in a pressure tank or in the main pipe. Elaborate and lockable bypasses are eliminated and accuracy increases.

Low maintenance

Fully automatic sensor calibration in user-defined intervals without interrupting the process. Two buffer solutions are automatically pumped into the calibration chamber. Only the buffer bottles need to be refilled.

Clean and safe construction

All features for smooth, safe, and low-maintenance operation are provided as standard: water pressure gauge and service switch with alert message and check-back signal of the actual probe position, air filter and water trap integrated, flooding sensor with alert message.

Universal adaptation to retractable fittings

The modular structure of the Unical allows any retractable fittings to be used. Optimum functionality is achieved with the Ceramat and SensoGate sensor lock-gates

Safe and easy measurement, even in strongly polluted media

Sensor cleaning and rinsing are performed at user-defined intervals. Cleaning solution and water are automatically pumped into the calibration chamber. Dismounting and manual cleaning of the sensor are not required.

Distinction between calibration and adjustment

This allows you to check the sensor data in the running process. An adjustment is only carried out when pre-set deviations of the calibration values are exceeded. Constant displacement of the measured values due to small calibration scatters is omitted.

Modern fieldbus integration

The interfaces to PROFIBUS PA or FOUNDATION Fieldbus allow the Unical system to be integrated directly in a fieldbus network. Naturally also in hazardous locations.

Long sensor life – also in critical processes

When measuring in aggressive media or at high process temperatures, the sensor rests in the calibration chamber and is only briefly moved into the process for measurement. This method decisively increases the sensor life.

Cost-efficient

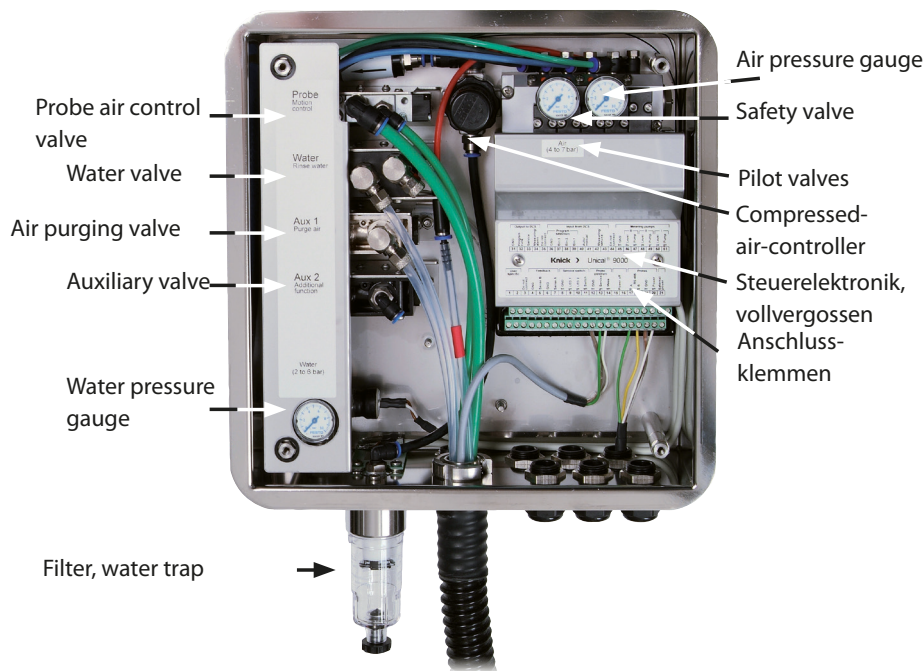
Low-wear and low-maintenance pump with extremely low consumption of buffer.

Unical 9000

The electro-pneumatic controller for fully automated pH measurement, cleaning and calibration

In combination with the Protos process analysis system and the SensoGate or Ceramat sensor lock-gates, Unical offers the ideal functionality of a complete system for automatic process control of a pH measurement. It allows highly accurate measurements to be taken, even with difficult process conditions such as high pressure, high temperatures, and high levels of impurities. The system can be installed next to the process, within the hazardous area.

Inside View



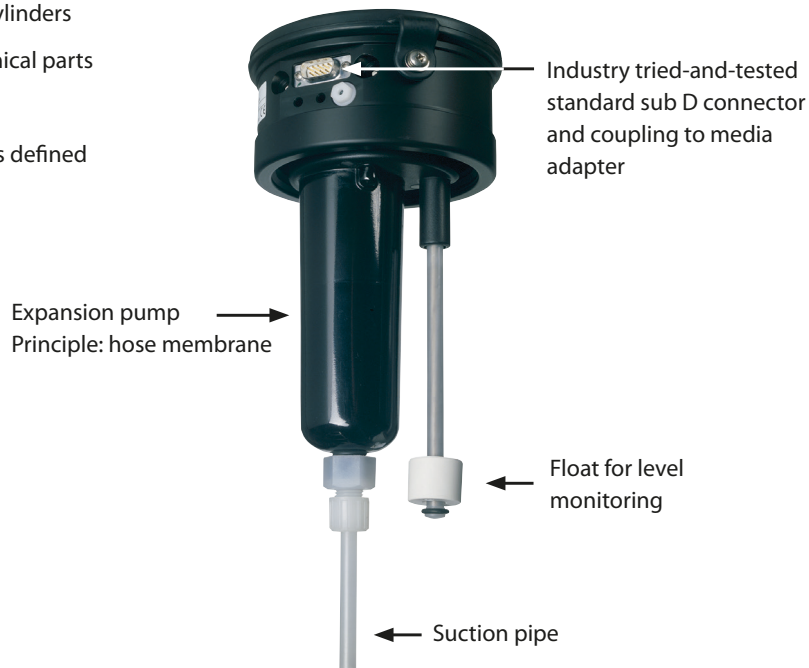
The valve units are expandable.

Facts

- consistent enclosure concept for all devices
- modular design, adaptable to virtually every measuring task
- easy assembly and retrofitting
- tidy hose guiding
- hygienic version (polished stainless steel) or corrosion-proof (powder-coated steel)
- no entrainment and backmixing due to separate routing of the media
- low maintenance effort due to innovative pump technology and extremely low consumption of media
- automatic 2-point calibration
- time-controlled cleaning and checking
- cleaning with water and additional cleaning solution
- reduced maintenance effort due to automatic calibration
- no interruptions in production for calibration
- operation in hazardous locations Zone 1 (all system components)
- longer sensor life due to short-time measurement and regular cleaning
- immediate readiness for measurement after production interruption since sensor is safely stored in liquid
- safety ensured by monitoring of the compressed air and water supply, the probe position and the buffer and cleaning solution level

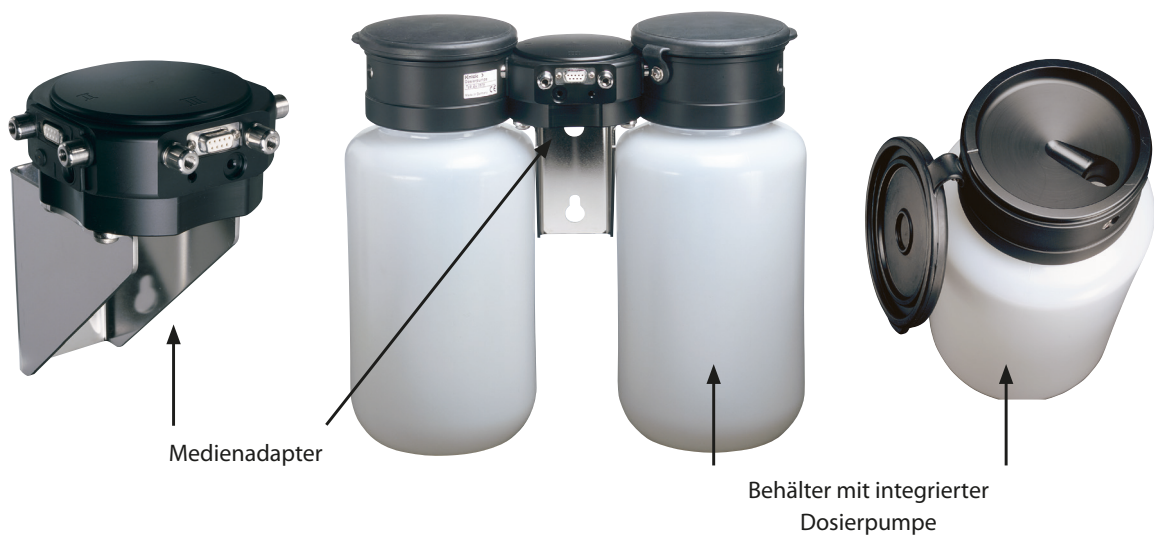
New, Innovative Pump Design for Low Maintenance Costs

- no usual pistons/cylinders
- no moving mechanical parts
- no wear
- no stored energy as defined in ATEX 94/9/EC



Modular Flexibility for Very Simple Adaptation

- The buffer or cleaning solution bottles (3.5 l) are replaceable active, self-sustaining units with integrated pump: easy refilling of buffer or cleaning solution, without removing the pump.
- The pump units are automatically recognized by the system.
- The closure consists of a conveyor cap with funnel and buttoned lid.
- This innovative construction provides previously unknown flexibility and service friendliness.

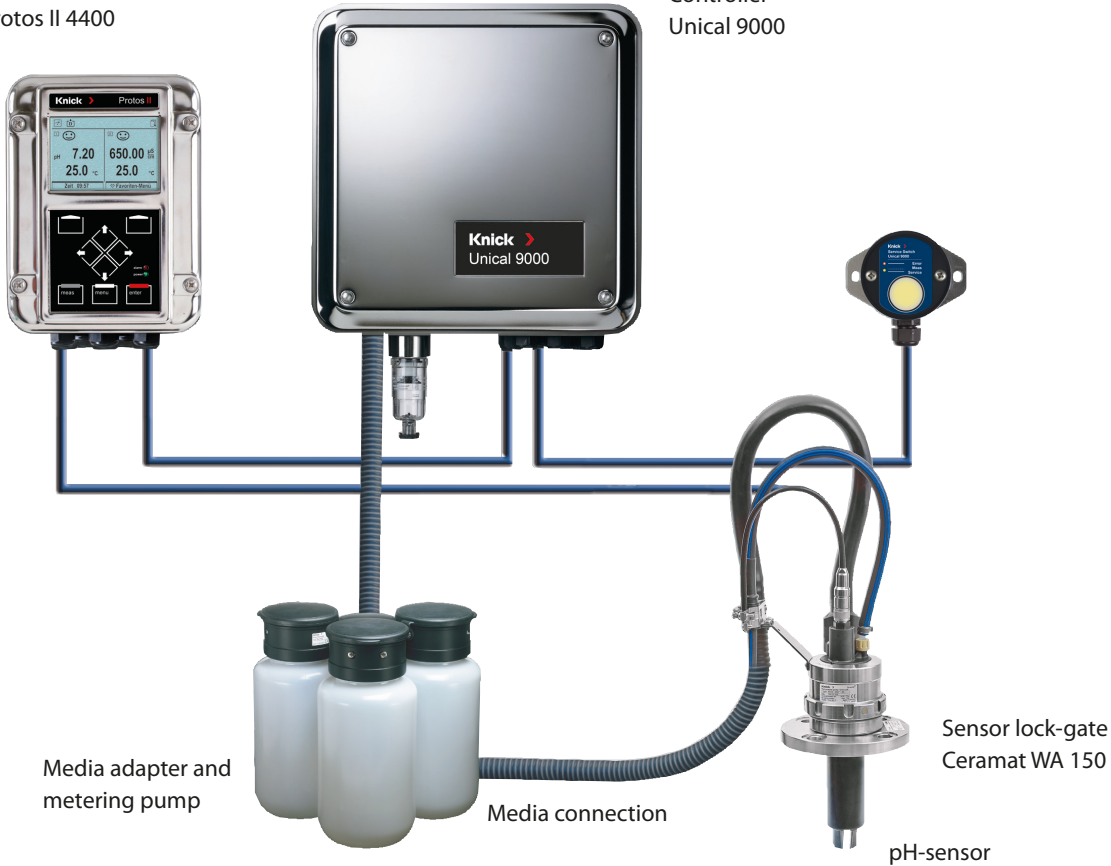


Unical 9000

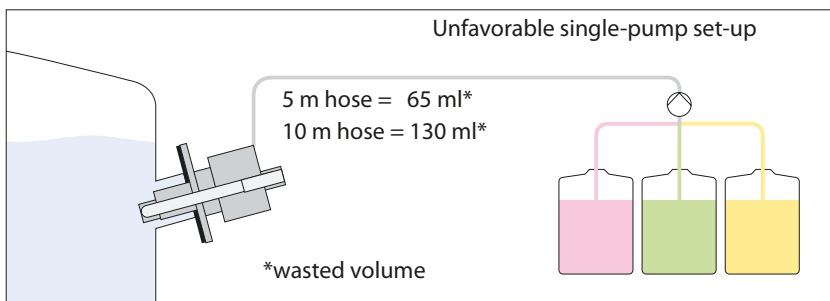
Overview - The Complete System

Process analysis system
Protos II 4400

Controller
Unical 9000

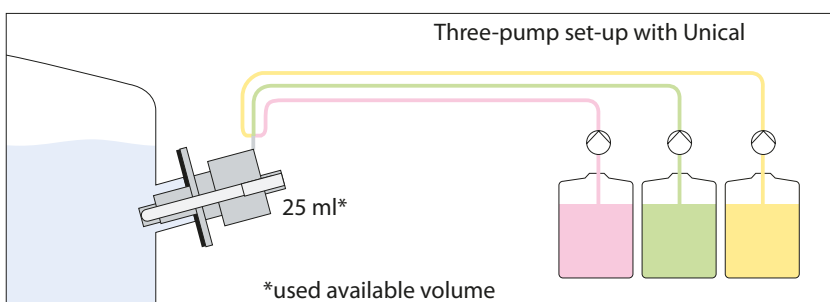


Safe Pump System with Minimum Buffer Consumption and Minimum Entrainment



Entrainment
through 5–10 m hose

Waste of complete
hose volume



Separate hoses – no entrainment
= max. accuracy!

Minimum buffer consumption
(only 25 ml / cycle)

Specifications

Compressed air	oil- and condensate-free	
Permitted pressure range	4 ... 10 bar	
Pressure monitoring	automatic monitoring, message	
Connection	1/4" internal thread	
Rinse water	filtered 100 µm	
Permitted pressure range	2 ... 6 bar	
Temperature range	5 ... 65 °C	
Pressure monitoring	automatic monitoring, message	
Connection	1/4" internal thread and 3/4" external thread (for coupling)	
Pump (optional)	for buffer solution / cleaning solution	
Number of bottles	max. 3	
Usable bottle volume	3,5 l	
Max. lifting height	10 m	
Displaced volume	25 ml/stroke	
Level monitoring	continuous, messages	
Material	PP, PE, EPDM, (optional FKM), check valves: glass, HC4	
Dimensions	150 mm x 150 mm x 340 mm with 3.5-L bottle	
Weight	approx. 1.5 kg (with empty 3.5-L bottle)	
Supply	supplied via Protos PHU module	
Connection	terminals, conductor cross section max 2.5 mm ² (preassembled connecting cable to Protos 3400)	
RS 485	communication with Protos PHU module or external host computer (e.g. DCS/PLC)	
Transmission	1200 bauds / 8 data bits / 1 stop bit / no parity	
Security	CRC16	
Connection	terminals, conductor cross section max 2.5 mm ² (preassembled connecting cable to Protos 3400) max. length 10 m	
Media connection	compact multiplug connection for 3 x buffer, 1 x rinse water, 1 x cleaning solution, 1 x purge air, 5 integrated check valves for buffer solution, water and cleaning solution, 2 x compressed air connection for drive, noncontacting electrical limit position control	
Media adapter	approx. 2 kg	
Service switch	wall or pipe mounting (Ø 30 ... 65 mm), cable length → Unical 9000: 5 m (opt. 10m)	
DCS Input M/S	Measuring / Service	
Switching voltage	0 ... 2 V AC/DC	inactive (measuring)
	10 ... 30 V AC/DC	active (service)

Unical 9000

Fortsetzung - Technische Daten

Connection	terminals, conductor cross section max. 2.5 mm ²
DCS input A/M	automatic mechanism blocked
Switching voltage	0 ... 2 V AC/DC inactive (automatic intervals enabled) 10 ... 30 V AC/DC active (automatic intervals blocked)
Connection	terminals, conductor cross section max. 2.5 mm ²
DCS inputs PRG1 ... 3	program selection 1 ... 8
Switching voltage	0 ... 2 V AC/DC inactive 10 ... 30 V AC/DC active
Connection	terminals, conductor cross section max. 2.5 mm ²
DCS outputs ML1 ... 3	check-back signals: Service, measuring, program electronic relay contacts, floating, inter-connected
Voltage drop	< 1,2 V
Connection	terminals, conductor cross section max. 2.5 mm ²
Explosion protection	See Control Drawing or www.knick.de
EMC	EN 61326 EN 61326/A1
Lightning protection	EN 61000-4-5, Installation Class 2
Protection against electric shock	according to EN 61010
Ambient conditions	5 ... 55 °C (Ex: 5 ... 50 °C)
Ambient temperature	(different temperature range on request)
Transport/Storage temperature	-20 ... +70 °C
Relative humidity	10 ... 95 %, not condensing
Enclosure	Unical 9000 S Stainless steel A2, polished Unical 9000 C Stainless steel A2, coated, color: pigeon blue
Assembly	wall and pipe mounting (see dimension drawing)
Dimensions	W x H x D approx. 320 mm x 400 mm x 120 mm
Ingress protection	IP 65/NEMA 4X
Cable glands	6 cable glands M20 x 1.5 knockouts for NPT 1/2" or Rigid Metallic Conduit
Weight	approx. 9 kg

Delivery Program Unical 9000

Basic Unit	9000-□□□□□□□□□□-□□□□																			
Approvals	ATEX/IECEX/CSA Zone 1/ FM Cl 1 Div 1	X																		
	Without	N																		
Housing	Steel, coated	C																		
	Stainless steel, polished	S																		
Media connection (rinse function only)	5 m (gasket material: FKM)	1	0	0	0	0														
	10 m (gasket material: FKM)	2	0	0	0	0														
	15 m (gasket material: FKM)	5	0	0	0	0														
	5 m (gasket material: EPDM)	A	0	0	0	0														
	10 m (gasket material: EPDM)	B	0	0	0	0														
	15 m (gasket material: EPDM)	E	0	0	0	0														
Media connection (calibration and rinse function)	5 m (gasket material: FKM)	3																		
	10 m (gasket material: FKM)	4																		
	14 m (gasket material: FKM)	7																		
	17 m (gasket material: FKM)	6																		
	5 m (gasket material: EPDM)	C																		
	10 m (gasket material: EPDM)	D																		
	14 m (gasket material: EPDM)	G																		
	17 m (gasket material: EPDM)	F																		
Media interface	With (for standard probes)	1																		
	Without (for WA 130, 150, 154, 160)	0																		
Media adapter with port I - III	With (gasket material: FKM)	1																		
	With (gasket material: EPDM)	A																		
	Without	0																		
Port I	Metering pump with empty 3.5-L bottle (EPDM)	2																		
	Without	0																		
Port II	Metering pump with empty 3.5-L bottle (EPDM)	2																		
	Without	0																		
Port III	Metering pump with empty 3.5-L bottle (EPDM)	2																		
	Metering pump with empty 3.5-L bottle (FKM)	B																		
	Without	0																		
Supplementary air purging kit	With												C							
	Without												N							
Supplementary ext. valve kit	With													E						
	Without													N						
Special variant	Without															0	0	0		
	With protective cabinet, non-Ex															1	0	0		
	With protective cabinet and heater, non-Ex															2	0	0		
	With protective cabinet, Ex															3	0	0		
	With protective cabinet and heater, Ex															4	0	0		

Unical 9000

Accessories for Unical 9000

Accessories	Order No.
Pipe mount kit for Unical 9000	ZU 0601
Pipe-mount kit for media adapter	ZU 0606
Connection kit for Unical 9000 (water and air)	ZU 0656
Commissioning Unical 9000	ZU 0649
Chemical pump (Aux 2 / ZU 0588 ext. valve kit required)	ZU 0741

Spare Parts for Unical 9000

Spare Parts + Retrofit Parts for Uniclean 900	Order No.
Media connection, rinse, 5 m (FKM gaskets)	ZU 0572/1
Media connection, rinse 5 m (EPDM gaskets)	ZU 0572/2
Media connection, rinse, 10 m (FKM gaskets)	ZU 0573/1
Media connection, rinse 10 m (EPDM gaskets)	ZU 0573/2
Media connection, rinse, 15 m (FKM gaskets)	ZU 0652/1
Media connection, rinse 15 m (EPDM gaskets)	ZU 0652/2
Media connection, rinse + clean, 5 m (FKM gaskets)	ZU 0574/1
Media connection, rinse + clean, 5 m (EPDM gaskets)	ZU 0574/2
Media connection, rinse + clean, 10 m (FKM gaskets)	ZU 0575/1
Media connection, rinse + clean, 10 m (EPDM gaskets)	ZU 0575/2
Media connection, rinse + clean, 14 m (FKM gaskets)	ZU 0932/1
Media connection, rinse + clean, 14 m (EPDM gaskets)	ZU 0932/2
Media connection, rinse + clean, 17 m (FKM gaskets)	ZU 0653/1
Media connection, rinse + clean, 17 m (EPDM gaskets)	ZU 0653/2
Media interface for standard probes	ZU 0576
Metering pump (PP, FKM) with empty 3.5 L bottle	ZU 0580/1
Metering pump (PP, EPDM) with empty 3.5 L bottle	ZU 0580/2
Metering pump (PP, FKM) with empty 3.5 L bottle, Ex	ZU 0580 X/1
Metering pump (PP, EPDM) with empty 3.5 L bottle, Ex	ZU 0580 X/2
Supplementary air purging kit	ZU 0587
Supplementary Aux2 kit	ZU 0588
Media adapter (FKM gaskets)	ZU 0715/1
Media adapter (EPDM gaskets)	ZU 0715/2
Media adapter, Ex (FKM gaskets)	ZU 0715 X/1
Media adapter, Ex (EPDM gaskets)	ZU 0715 X/2
Pressure gauge replacement kit (water pressure indication)	ZU 0984

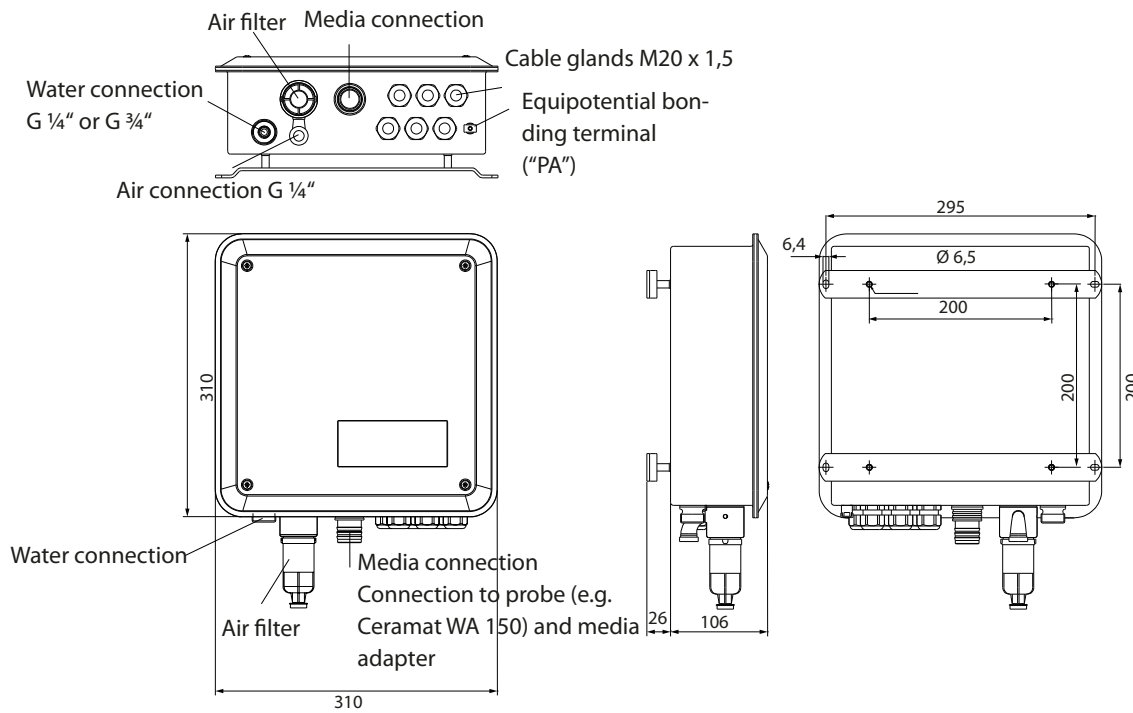
Service Parts for Unical 9000**Service Parts for Unical 9000**

	Order No.
Air pressure switch	ZU 0632
Water pressure switch	ZU 0633
Probe valve, complete	ZU 0634
Water valve	ZU 0714
Sensor dismount guard, complete	ZU 0644
Air purge valve, complete	ZU 0636
Aux 2 valve, complete	ZU 0637
Piezo valve for valve block	ZU 0638
Gasket for port at media adapter (EPDM)	ZU 0639
Filter insert (5 ... 10 µm)	ZU 0640
Replacement filter housing	ZU 0641
Electronics module, tested, encapsulated	ZU 0642
Electronics module, tested, encapsulated, Ex	ZU 0642 X
Small parts kit	ZU 0643
Multiplug service set, FKM gaskets	ZU 0812/A
Multiplug service set, EPDM gaskets	ZU 0812/B
Reed switch, short (service part for multiplug)	ZU 0813/1

Unical 9000

Dimension Drawings

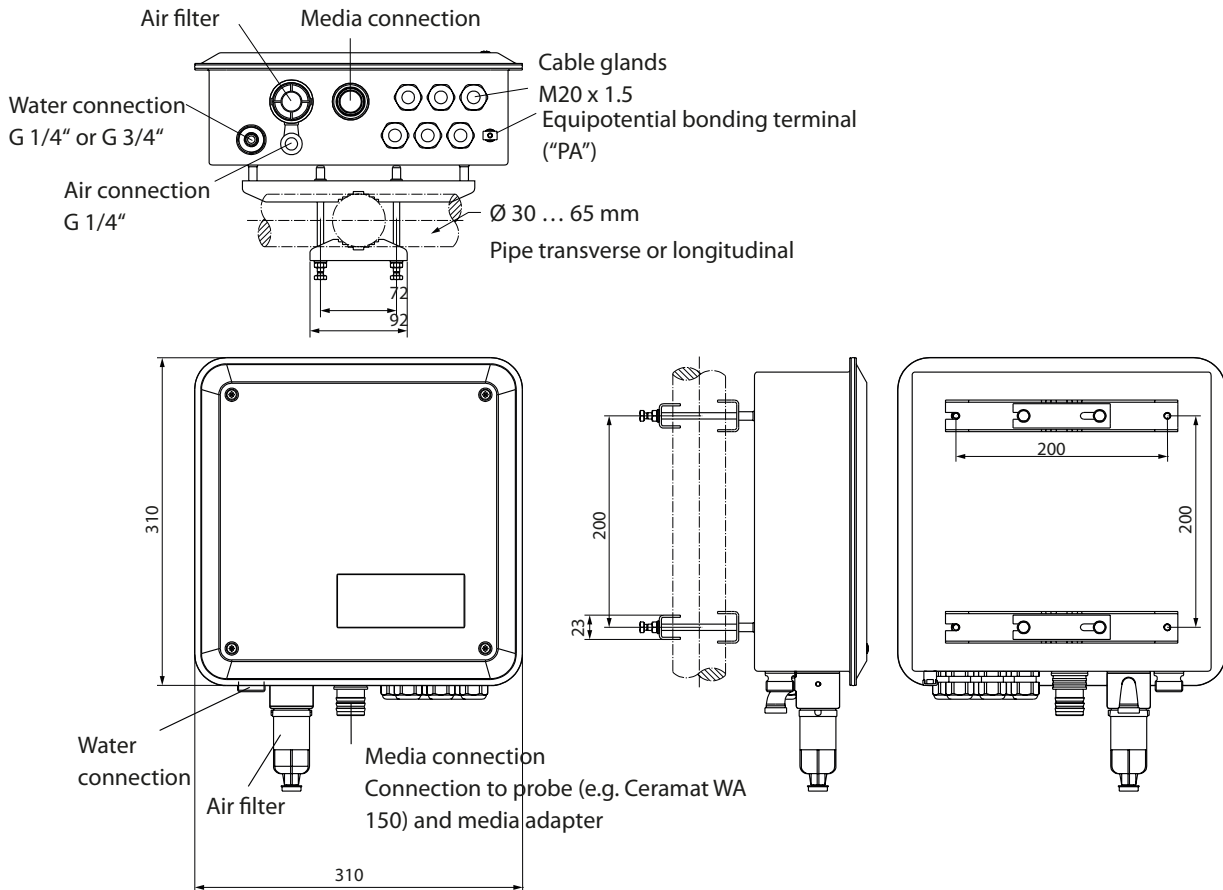
Wall Mounting



All dimensions in mm.

Dimension Drawings

Pipe mounting

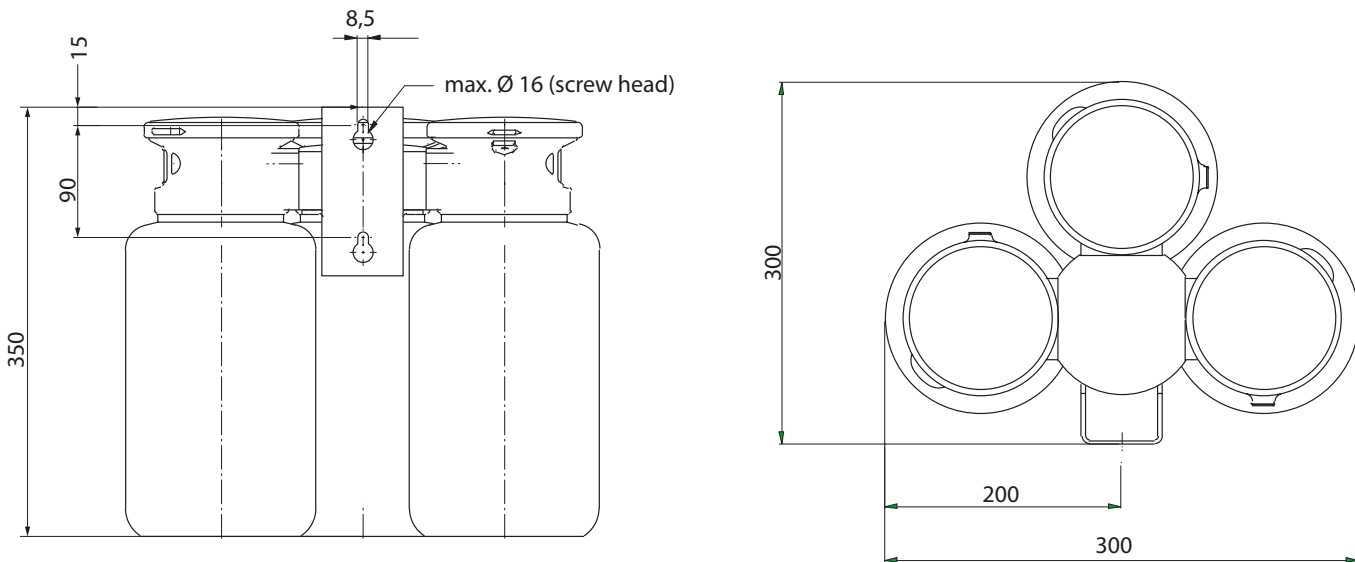


All dimensions in mm.

Unical 9000

continued – Dimension Drawings

Media adapter



Terminal Assignments

Valves											Monitoring									
GND	Reserve	GND	Auxiliary 2	GND	Auxiliary 1	GND	Water	GND	Probe	GND	Safety	GND	Sense pressure (air)	Sense reserve	GND	Sense water	GND	Sense electrode	GND	Sense water stop
61	62	63	64	65	66	67	68	69	70	71	72	73	74	75	76	77	78	79	80	81

Output to DCS				Input from DCS							Metering pumps							
GND	Program runs	Service	Measuring	Do not connect	GND	Program selection			Auto/manual	Measuring/service	Do not connect	GND	Level	Pump	Level	Pump	Level	Pump
31	32	33	34	35	36	Bin 3	Bin 2	Bin 1	40	42	44	45	46	47	48	49	50	51

User specific		Feedback			Service switch			Probe position			Protos/M700											
Do not connect	GND	Sense B	GND	Sense A	bn	gn	LED 1	ye	LED 2	wh	Switch	GND	Service	Meas	Power off	gn	A RS 485	ye	B	GND	Power	External power
1	2	3	4	5	6	7	8	9	10	11	12	13	14	15	16	17	18	19	20	21		