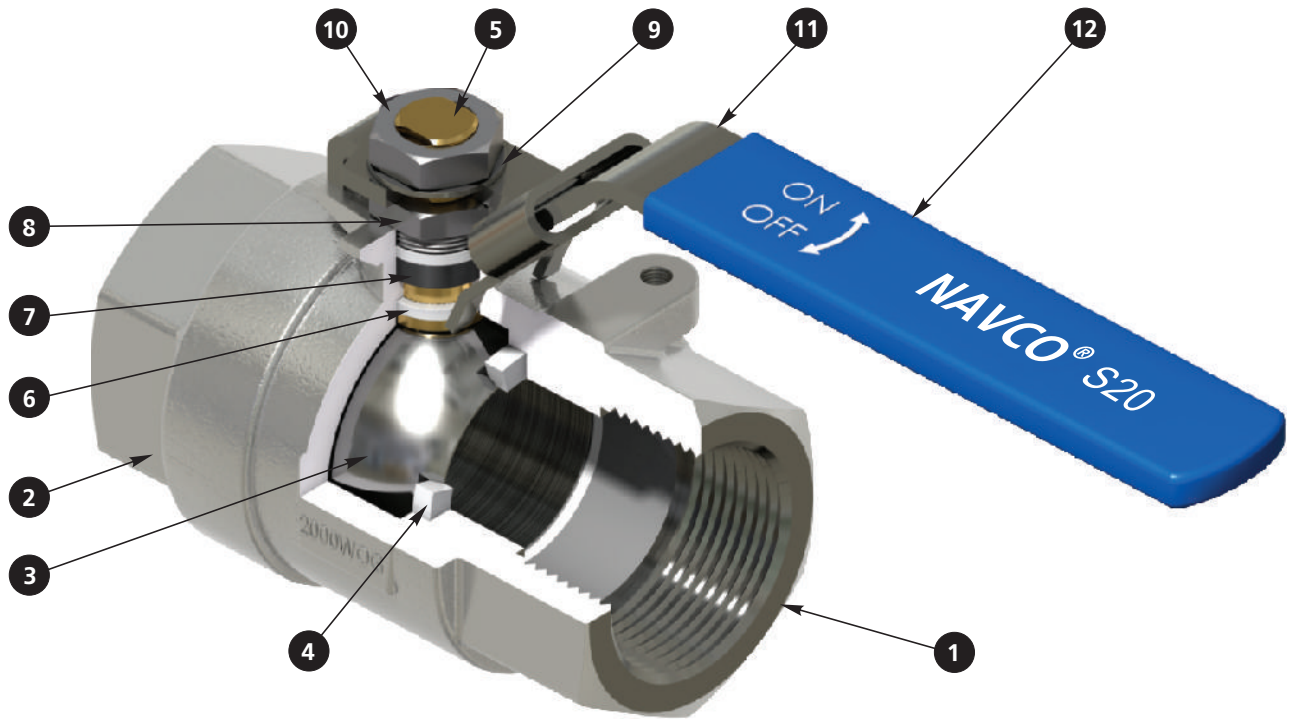


NAVCO® S20 BALL VALVE



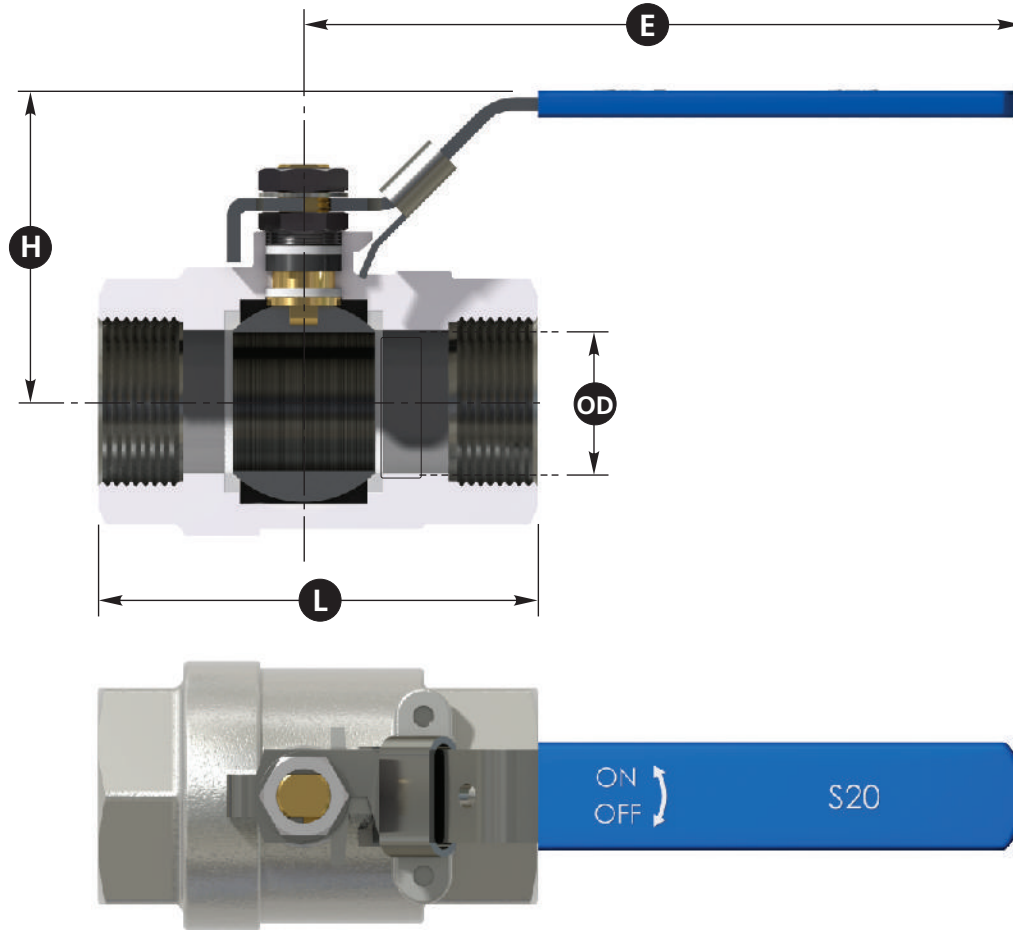
FEATURES AND BENEFITS

- 2-PC THREADED END BALL VALVE, FULL PORT, 2000 WOG
- SEAL WELDED IN FULL STAINLESS VERSION
- INVESTMENT CAST BODY
- FIRE TESTED & CERTIFIED API 607 5TH EDITION
- WORKING PRESSURE: 2000 PSI
- CONFORMS TO NACE MR0175 (2002) SPECIFICATION
- POSITIVELY RETAINED STEM DESIGN
- HANDLE LOCKING DEVICE

MATERIALS LIST

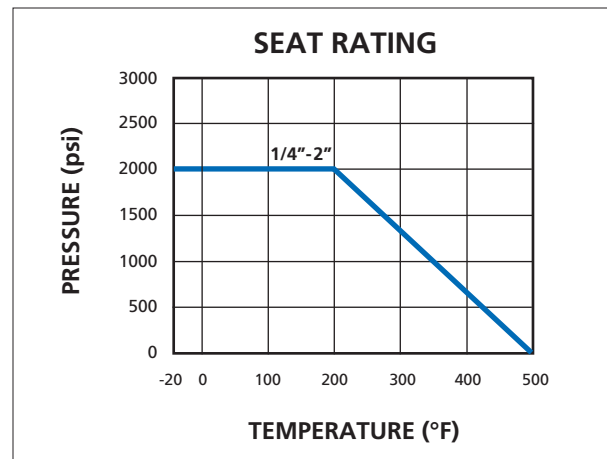
| ITEM | QTY. | PART | MATERIAL |
|------|------|-------------------|-------------|
| 1 | 1 | Body | WCB or CF8M |
| 2 | 1 | Cap | WCB or CF8M |
| 3 | 1 | Ball | AISI 316 |
| 4 | 2 | Seat | RPTFE |
| 5 | 1 | Stem | AISI 316 |
| 6 | 2 | Stem Seal | RPTFE |
| 7 | 1 | Stem Packing | Graphite |
| 8 | 1 | Packing Nut Gland | AISI 304 |
| 9 | 1 | Lock Washer | AISI 304 |
| 10 | 1 | Nut | A2-70 |
| 11 | 1 | Handle | SS 201 |
| 12 | 1 | Handle Sleeve | Vinyl |

NAVCO® S20 BALL VALVE



DIMENSIONS in. (mm)

| SIZE | OD | L | E | H |
|-----------------|----------------|-----------------|-----------------|-----------------|
| 1/4 (6.4) | 0.42 (10.7) | 2.36 (59.9) | 3.93 (99.8) | 1.89 (48.1) |
| 3/8 (9.7) | 0.49 (12.4) | 2.36 (59.9) | 3.93 (99.8) | 1.89 (48.1) |
| 1/2 (12.7) | 0.59 (15.0) | 2.95 (74.9) | 4.33 (110.0) | 2.28 (57.9) |
| 3/4 (19.1) | 0.78 (19.8) | 3.15 (80.0) | 4.72 (119.9) | 2.36 (59.9) |
| 1 (25.4) | 0.98 (24.9) | 3.54 (89.9) | 5.90 (149.9) | 3.03 (77.0) |
| 1 1/2 (38.1) | 1.50 (38.1) | 4.72 (119.9) | 7.08 (179.8) | 3.62 (92.0) |
| 2 (50.8) | 1.97 (50.0) | 5.51 (140.0) | 7.08 (179.9) | 4.13 (104.9) |



VALVES & MEASUREMENT
 3250 Briarpark Drive, Suite 300
 Houston, Texas 77042
 USA Toll Free 800 323 9160

For the most current contact and location information go to: www.c-a-m.com/valvesandmeasurement